

# PBH-101

(Programmable Device Server)



## Overview

PBH-101 is a programmable device server embedded with a \*PHPoC interpreter. PBH-101 makes it easy to realize desired features with user-defined functions since PHPoC is compatible with a PHP scripting language which has been widely used throughout the development environments.

Besides, PBH-101 is equipped with a USB port to simply add wireless LAN networking capabilities to serial devices by plugging in a wireless LAN adapter. Thanks to these features, PBH-101 is flexible in application and sufficient to meet diverse needs.

\*PHPoC (PHP OnChip) is compatible with PHP excluding some functions (Syntax and internal functions limited.)

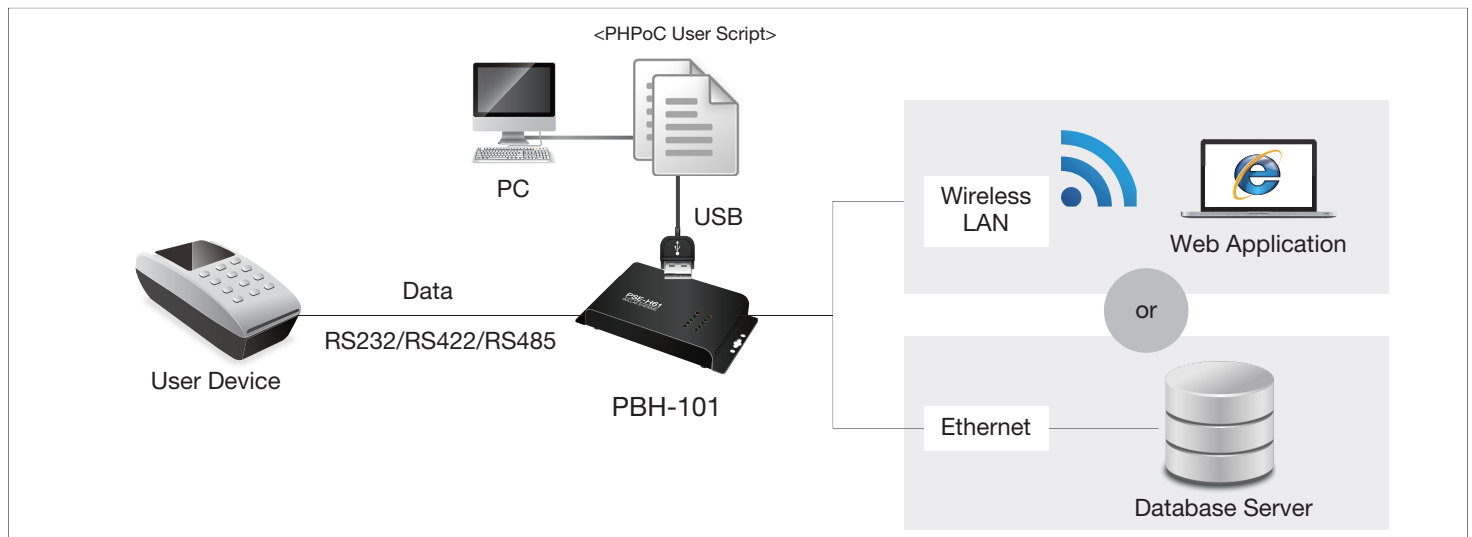
## Highlights

- PHPoC interpreter embedded (PHP on Chip)
- Uploading and debugging codes via USB
- Ethernet 10Base-T or 100Base-TX (Auto-Sensing)
- IEEE 802.11b/g (USB wireless LAN adapter required)
- Serial port (RS232/RS422/RS485)
- Industrial temperature range (-40°C ~ +85°C)

### \* PHPoC

- PHP compatible script language
- C/PHP compatible expression parser
- Multi-tasking capability (Application, HTTP server)
- In field run-time debugger

## Applications



# Specifications

## Serial Physical Interface

Serial Interface	RS232 - RXD, TXD, RTS, CTS, DTR(Always ON), GND
	RS422 - TX+, TX-, RX+, RX-, GND with embedded 100K biasing resistors and TVS
	RS485 - TRX+, TRX-, GND with embedded 100K biasing resistors and TVS
Connector	9 pin D-sub male

## Serial Port Properties

Baudrate	1,200 bps ~ 230,400 bps
Data Bits	8 bits, 7bits with parity
Parity	None, Even, Odd, Mark, Space
Stop Bit	1, 2
Flow Control	RTS/CTS

## Network Interface

Ethernet	10Base-T or 100Base-TX (RJ45)
	Ethernet Speed Auto Sense
	1:1 or Cross-over Cable Auto Sense
Wireless LAN	Ralink RT3070/5370 USB wireless LAN dongle required on the USB A Connector
	IEEE 802.11b/g Wireless LAN
	WEP, WPA-PSK, WPA2-PSK, WPA-Enterprise (EAP-TLS, EAP-TTLS, PEAP)

## USB Interface

USB A Connector	Ralink RT3070/5370 USB wireless LAN dongle for Wireless LAN
USB B Connector	For PC connection to upload/download user PHPoC script

## Software Functions

PHPoC	Embedded PHP (Limited syntax & Internal functions) script language
Protocols	TCP, UDP, IP, HTTP, ICMP, DHCP
Security	SSL/TLS, MD5/SHA1, DES/RC4/AES/SEED

## Indicators (LEDs)

Power	Red
Status	Yellow
User Programmable LED	LED A ~ H

## Supplementary Software

PHPoC Writer	PHPoC Uploading Files, Setting, Upgrading F/W
PHPoC Debugger	PHPoC Writer's Functions + Debugging + Downloading / Editing Files

## Dimension

Size	158mmX 90mm X 24mm
------	--------------------

## Operating Environment

Input Voltage	DC5V $\pm$ 0.5V (DC jack or USB)
Current Consumption	Typically 235 mA (without USB Wireless LAN adapter)
Power Protection	Reverse Voltage Protection, Surge Protection
Operating Temperature	-40°C ~ +85°C (without USB Wireless LAN adapter)
Storage Temperature	-40°C ~ +85°C (without USB Wireless LAN adapter)